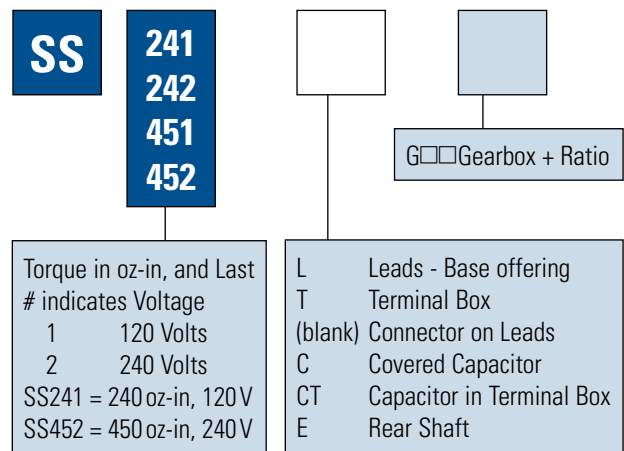


**SS240,SS450 Series 90mm Frame Size (NEMA Sizes 23, 34, 42)**



- Motor torque up to 450 oz-in (1059 N-cm)
- 72 RPM @ 60 Hz - 60 RPM @ 50 Hz
- 120 and 240 volt AC versions
- Needs only a capacitor to operate from single-phase power
- Available with integral capacitor for single phase operation
- Operates directly from three-phase power
- Leaded, connector or terminal box connections
- Planetary gearboxes available – See pages 18 and 20



**120 Volt, 60 Hz, Single Phase, 72 RPM**

* Type Number	voltage	Torque (min)		# Load Inertia		amps	Wiring Diagram	Phase Shifting Capacitor (250 VAC)	
		oz-in	N-cm	lb-in <sup>2</sup>	kg-cm <sup>2</sup>			Kit Number	μF
SS241□	120	240	169	2.5	7	0.40	C	201053-037	7.5
SS451□	120	450	318	5.5	16	0.80	C	201053-042	14

**240 Volt, 60 Hz, Single Phase, 72 RPM**

* Type Number	voltage	Torque (min)		# Load Inertia		amps	Wiring Diagram	Phase Shifting Capacitor (250 VAC)	
		oz-in	N-cm	lb-in <sup>2</sup>	kg-cm <sup>2</sup>			Kit Number	μF
SS242□	208/240	240	169	2.5	7	0.20	C	201053-038	2
SS452□	208/240	450	318	7.5	22	0.30	C	201053-044	3

**240 Volt, 50 Hz, Single Phase, 60 RPM**

* Type Number	voltage	Torque (min)		# Load Inertia		amps	Wiring Diagram	Phase Shifting Capacitor (250 VAC)	
		oz-in	N-cm	lb-in <sup>2</sup>	kg-cm <sup>2</sup>			Kit Number	μF
SS242□	240	240	169	1	3	0.20	C	201053-038	2
SS242□	220	240	169	1	3	0.20	C	201053-041	2.5
SS452□	220/240	450	318	2	6	0.30	C	201053-061	4

## SS240, SS450 (Continued)

### Three Phase, 208 - 240 Volt, 60 Hz, 72 RPM

* Type Number	voltage	Torque (min)		# Load Inertia		amps	Wiring Diagram
		oz-in	N-cm	lb-in <sup>2</sup>	kg-cm <sup>2</sup>		
SS242□	208/240	250	177	2.5	7	0.20	3 Ø
SS452□	208	475	335	4.5	13	0.30	3 Ø

### Three Phase, 208 Volt, 50 Hz, 60 RPM

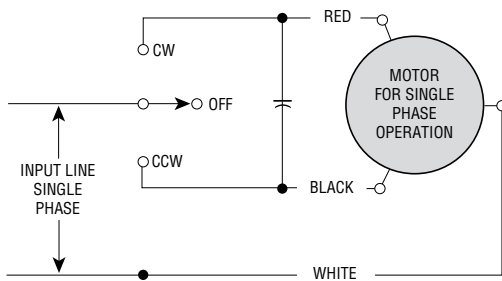
* Type Number	voltage	Torque (min)		# Load Inertia		amps	Wiring Diagram
		oz-in	N-cm	lb-in <sup>2</sup>	kg-cm <sup>2</sup>		
SS242□	208	250	177	4	12	0.20	3 Ø
SS452□	208	475	335	4.5	13	0.30	3 Ø

## Connection Diagrams

### Terminations

Lead Color	Connector Motor	Terminal Box Motor
Red	Pin # 7	Terminal # 1
Black	Pin # 6	Terminal # 3
White	Pin # 2	Terminal # 2

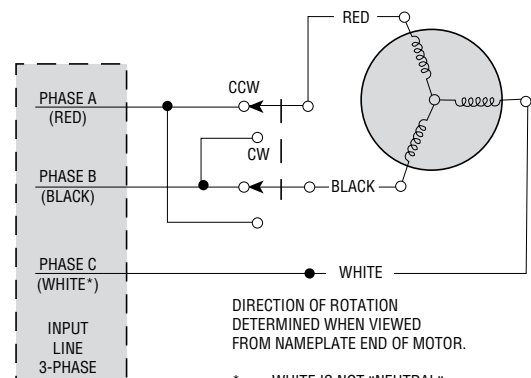
### C Connection



DIRECTION OF ROTATION DETERMINED WHEN VIEWED FROM NAMEPLATE END OF MOTOR.

### Single-Phase Operation

### 3 Ø Connection



DIRECTION OF ROTATION DETERMINED WHEN VIEWED FROM NAMEPLATE END OF MOTOR.

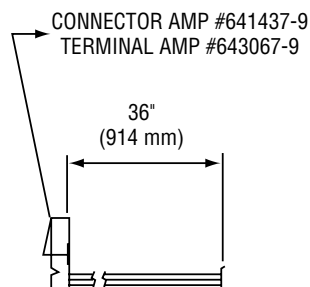
\* — WHITE IS NOT "NEUTRAL".

### Three-Phase Operation

## Mating Connector with Leads

Part number 225505-001

Mating connectors with 36" (914mm) long leads are available for making connections to motors that have connectors.

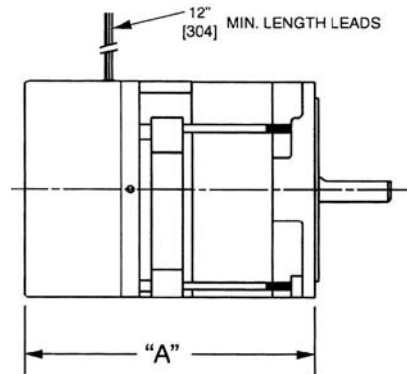




## SS240, SS450 (Continued)

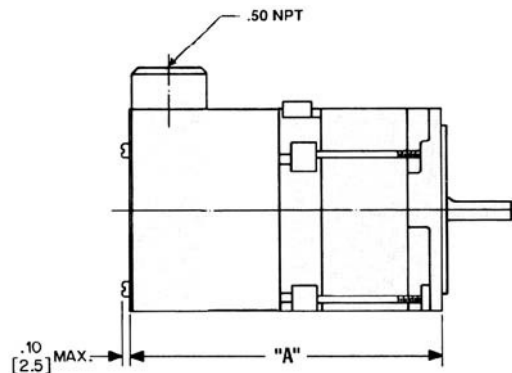
### Covered Capacitor

Motor Type	A	
	inch	mm
SS241C	4.69	119
SS242C		
SS451C	6.29	160
SS452C		



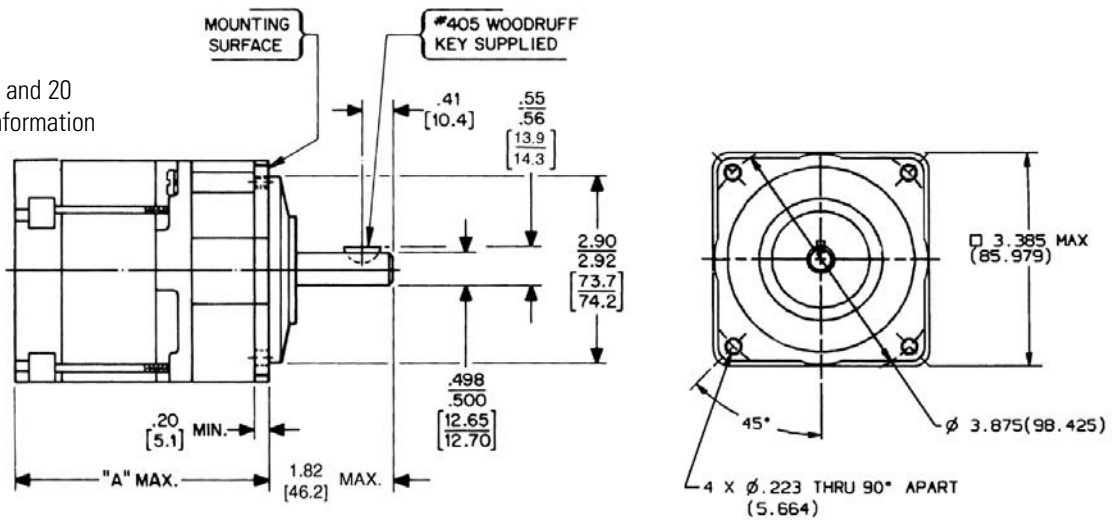
### Capacitor in Terminal Box

Motor Type	A	
	inch	mm
SS241CT	5.48	139
SS242CT		
SS451CT	7.08	180
SS452CT		



### Gearmotors

See pages 18 and 20 for gearbox information



Motor Series	Gearbox Ratio	B		Leaded & Connector Motors		Terminal Box Motors		Covered Capacitor Motors		Capacitor in Terminal Box Motors				
		inch	mm	Leaded Motors	Connector Motors	Motor Type	inch	mm	Motor Type	inch	mm	Motor Type	inch	mm
SS240	3:1 thru 5:1	1.19	30.2	SS241LG□□	SS241G□□	SS241TG□□	5.24	133	SS241CG□□	5.88	149	SS241CTG□□	6.67	169
	9:1 thru 25:1	1.81	46.0	SS242LG□□	SS242G□□	SS242TG□□	5.86	149	SS242CG□□	6.50	165	SS242CTG□□	7.29	185
	27:1 thru	2.38	60.5				6.43	163		7.07	180		7.86	200
SS450	3:1 thru 5:1	1.19	30.2	SS451LG□□	SS451G□□	SS451TG□□	6.84	174	SS451CG□□	7.48	190	SS451CTG□□	8.27	210
	9:1 thru 25:1	1.81	46.0	SS452LG□□	SS452G□□	SS452TG□□	7.46	189	SS452CG□□	8.10	206	SS452CTG□□	8.89	226
	27:1 thru 125:1	2.38	60.5				8.03	204		8.67	220		9.46	240

Dimensions are shown in inches (mm)